



**MODEL:264010C**

**W7.96xL12.19xH3M**

**INSTALLATION INSTRUCTIONS**



## Installation Instructions

Congratulations on your purchase of our instant shelter. This unit is a combination of excellent manufacturing and design. It is comprised of a rigid frame and a durable cover. For easy assembly, we have marked all the parts with codes, with proper installation, use and maintenance, your unit will provide many years of good and suitable service.

## Tools Required

The following hand tool will be needed for proper installation of your new building:

- 12mm, 14mm, and 17mm open end wrenches
- 12mm, 14mm, 17mm sockets or box wrenches
- Large flat head screwdriver
- 2lb maul or sledgehammer
- 4ft level
- 14ft step ladder
- Stake and string for aligning base plates and frame

## Assembly Procedure

1. Prepare location and place all unit boxes near location sight. Perform an inventory check before beginning, to be certain all components are available for installation.
2. Secure base plate flanges to base surface.
3. Assemble every group of the arch.
4. Begin frame assembly with front end arch, first interior arch, purlins, etc.
5. Add to assemble other groups of arches.
6. Install main cover over frame.
7. Install end cover over end panels.

**Read all the detailed instructions and notices in the following assembly instructions!**

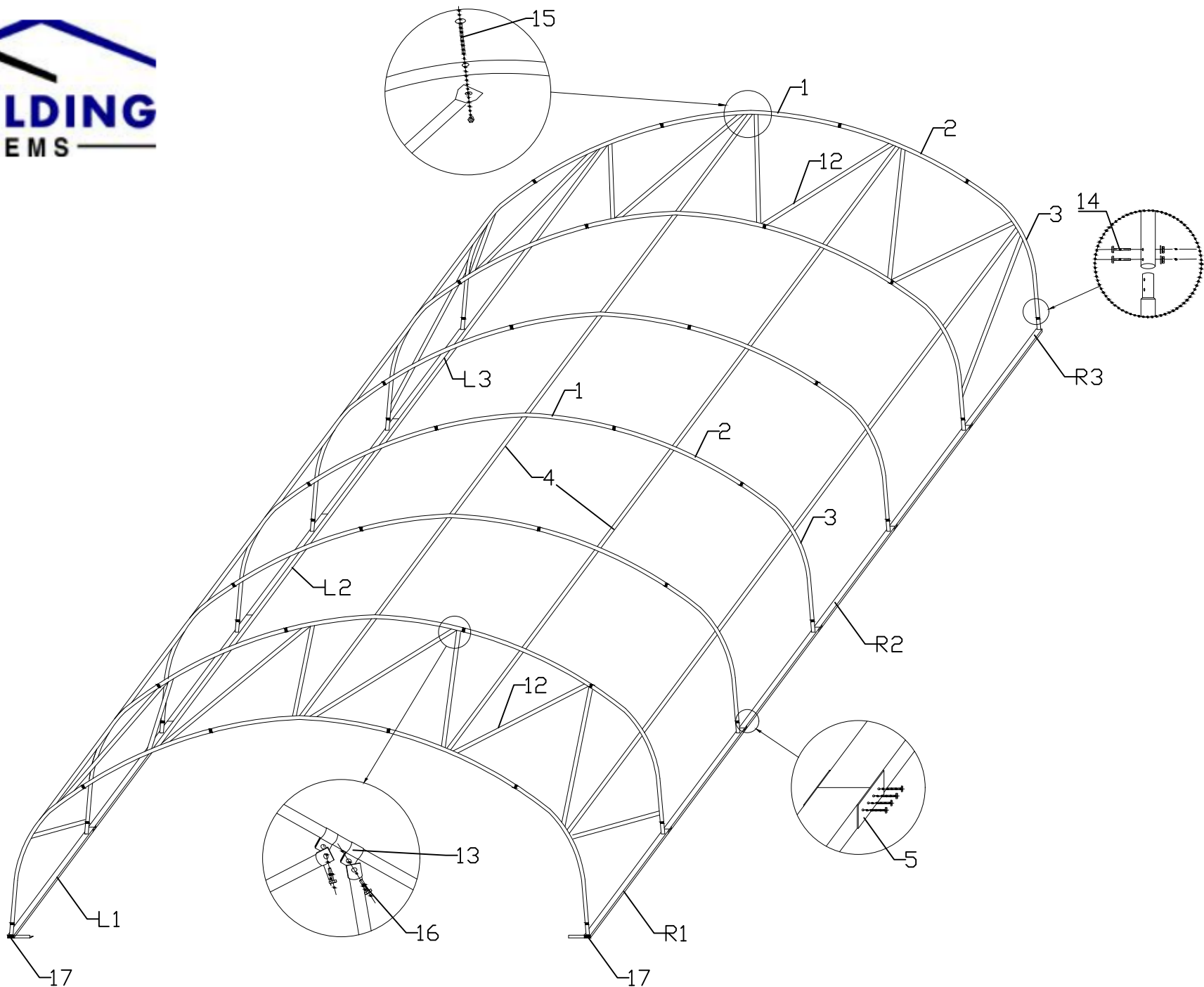


## Maintenance and Care

Annually or more often, the unit should be completely inspected internally and externally to make certain the unit remains properly installed and secured. Particular attention should be paid to:

- Hardware - check all carriage bolts and hardware connectors to be certain they are in place and tightened.
- Weather trends - The unit will strain against the base plate flange under windy conditions, pegs hardware, connection to frame members should be maintained tight and depth of pegs should be checked to be certain they remain deeply and firmly set.
- Snow Accumulation - All snow accumulation on the main cover should be removed as soon as possible. Tap the main cover from the inside with a broom or soft brush to clear cover.
- Main Cover Lacing - The poly rope that secures the main cover to the bottom rail of the frame assembly should be checked, and adjusted as needed. The tension on the main cover should be uniform from end and side to side. Rope ends must be tied off onto the frame members at the ends on each side.
- Cleaning - Cover and doors can be cleaned with a mixture of light detergent and water. A soft bristle brush with the mixture can be used to loosen any hard dirt, mould, or build up on the cover. After cleansing, the cover should be rinsed thoroughly to avoid any chemical reaction from residual detergent. Allowing dirt and debris to sit on cover over an extended time will damage cover irreparably.
- Severe Weather - in preparation for inclement weather, completely secure the door of your buildings portable building.

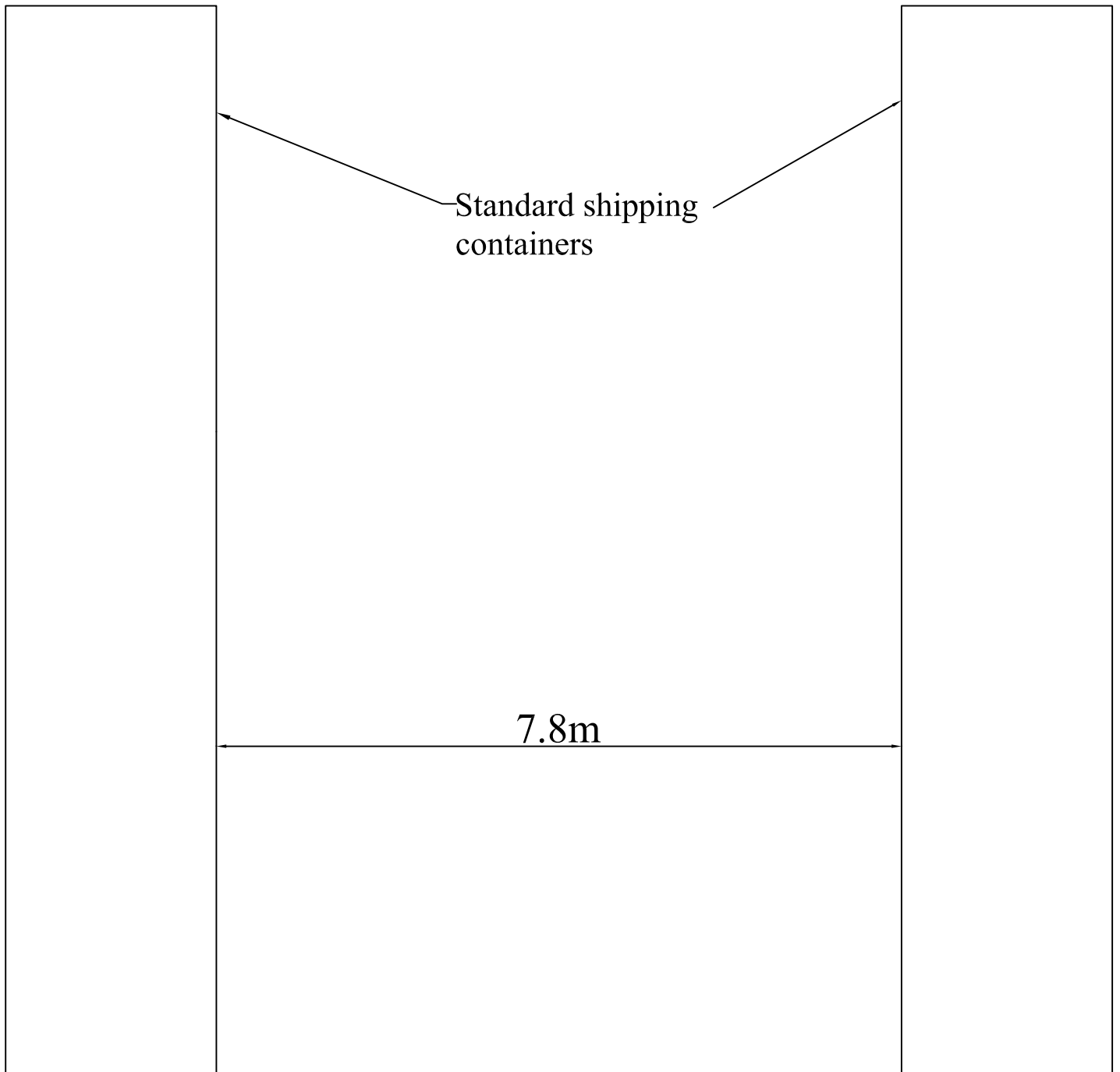
part Code	Descriptin	Quantity
1	Top roof tube	7
2	Shoulder tube	14
3	Sidewall tube	14
4	Horizontal tube	30
L1	Left base plate for corner of front panel	1
L2	Left base plates	4
L3	Left base plate for corner of back panel	1
R1	Right base plate for corner of front panel	1
R2	Right base plates	4
R3	Right base plate for corner of back panel	1
	Corner blocks	4
5	Connectors of base plates	20
6	Connectors of base plates	14+14
7	Ratchet	14
8	Tensioning tube for roof cover	12+2
9	U shape metal	14+28+28
10	Hexagon bolt M10*70	14
10A	Hexagon bolt M10*30	28
11	Hexagon bolt M12*50	24
12	Brace tube	20
13	Clip for #12	40
14	Hexago bolt M10*75	86
15	Carriage bolt M10*85	36
16	Hexagon bolt M10*30	40
17	Plastic cap	4+4
18	Roof cover	1sets
21	Rope for cover installation	5
22	Band for ratchet	14
23	Ratchet for corners	4



Model: WS2640c  
Size: L12.19m x W7.96m x H3.0m

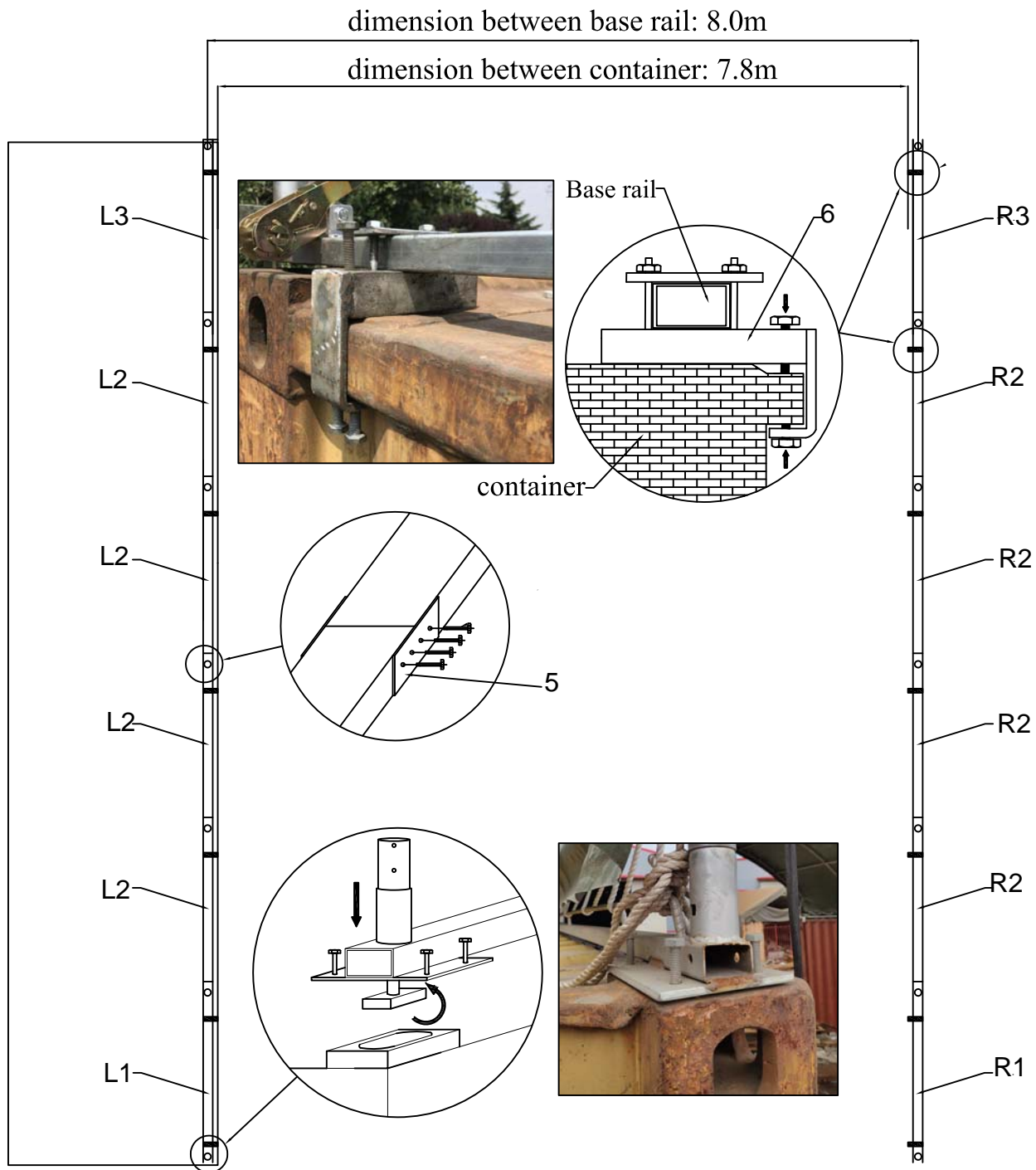
### STEP 1 - CONTAINER POSITIONING

1. Ensure the site is level and firm.
2. Place containers 7.8 meters apart.



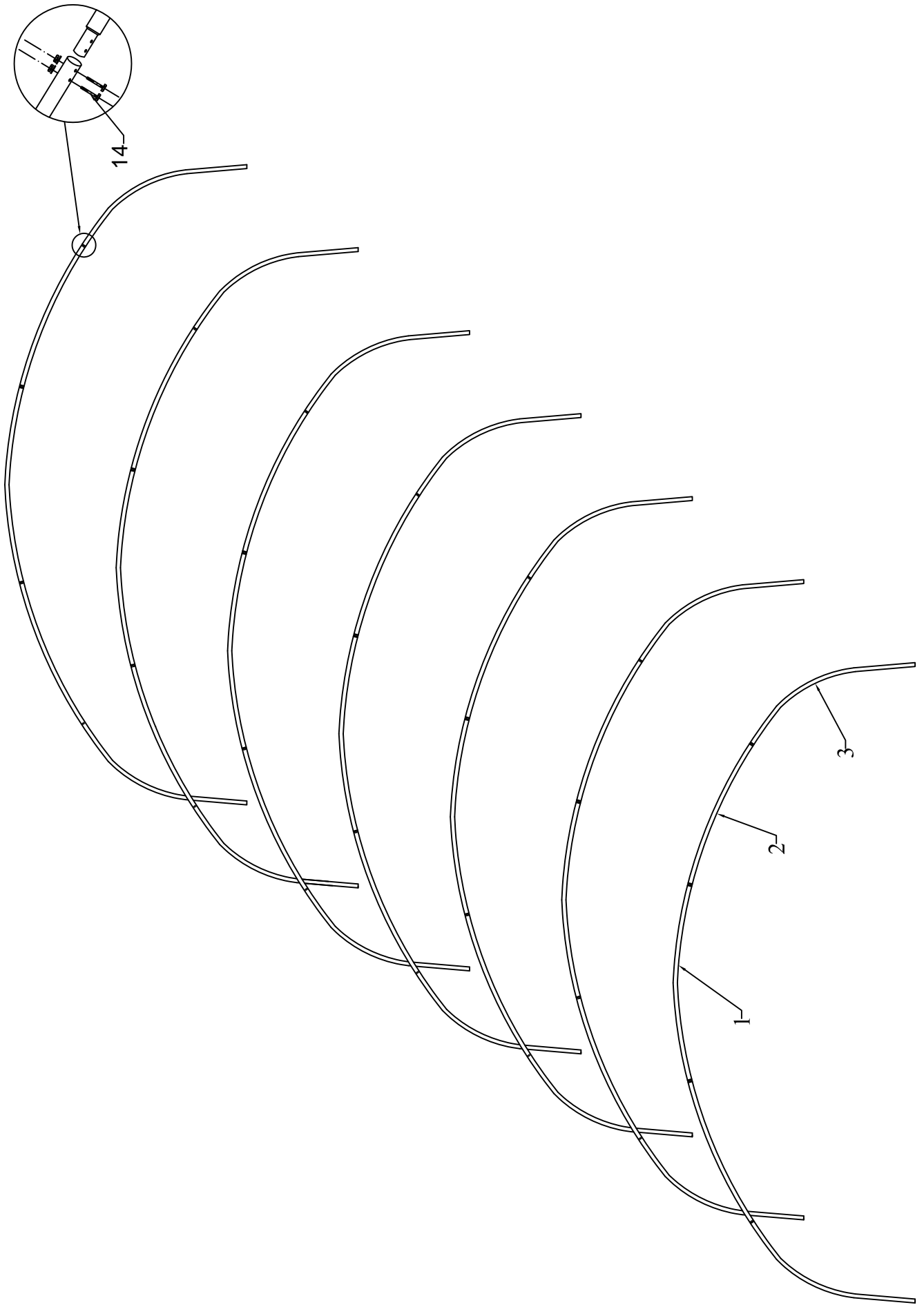
**STEP 2 - SECURE THE BASE RAIL TO TOP OF CONTAINER**

1. Connect the Base Rail (L1,L2,L3,R1,R2,R3 ) by Connector(part #5) and Bolts(part #14).
2. There are 4 locking systems at 4 corners, insert the locking device into the corner of container, turn 90 degree, then fasten the 4 bolts.
3. Fix the assembled base rail onto the container by Clamp set(part #6 )



**STEP 3 - FRAME ASSEMBLY**

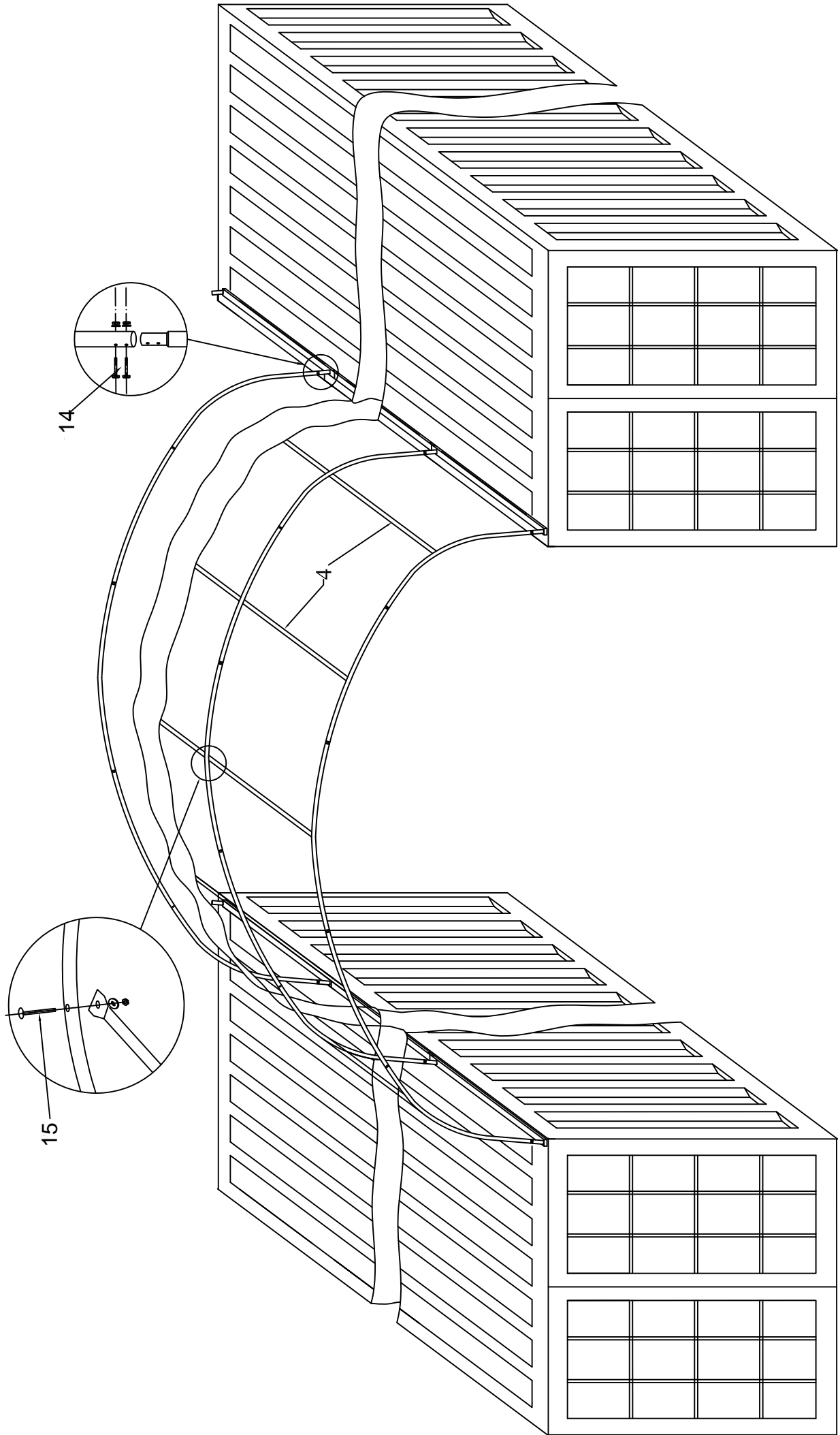
Assemble ALL portals on the ground first. Assemble parts #1,2,3 and bolt portal legs together using part# 14.





**STEP 4 - FRAME ASSEMBLY Continued**

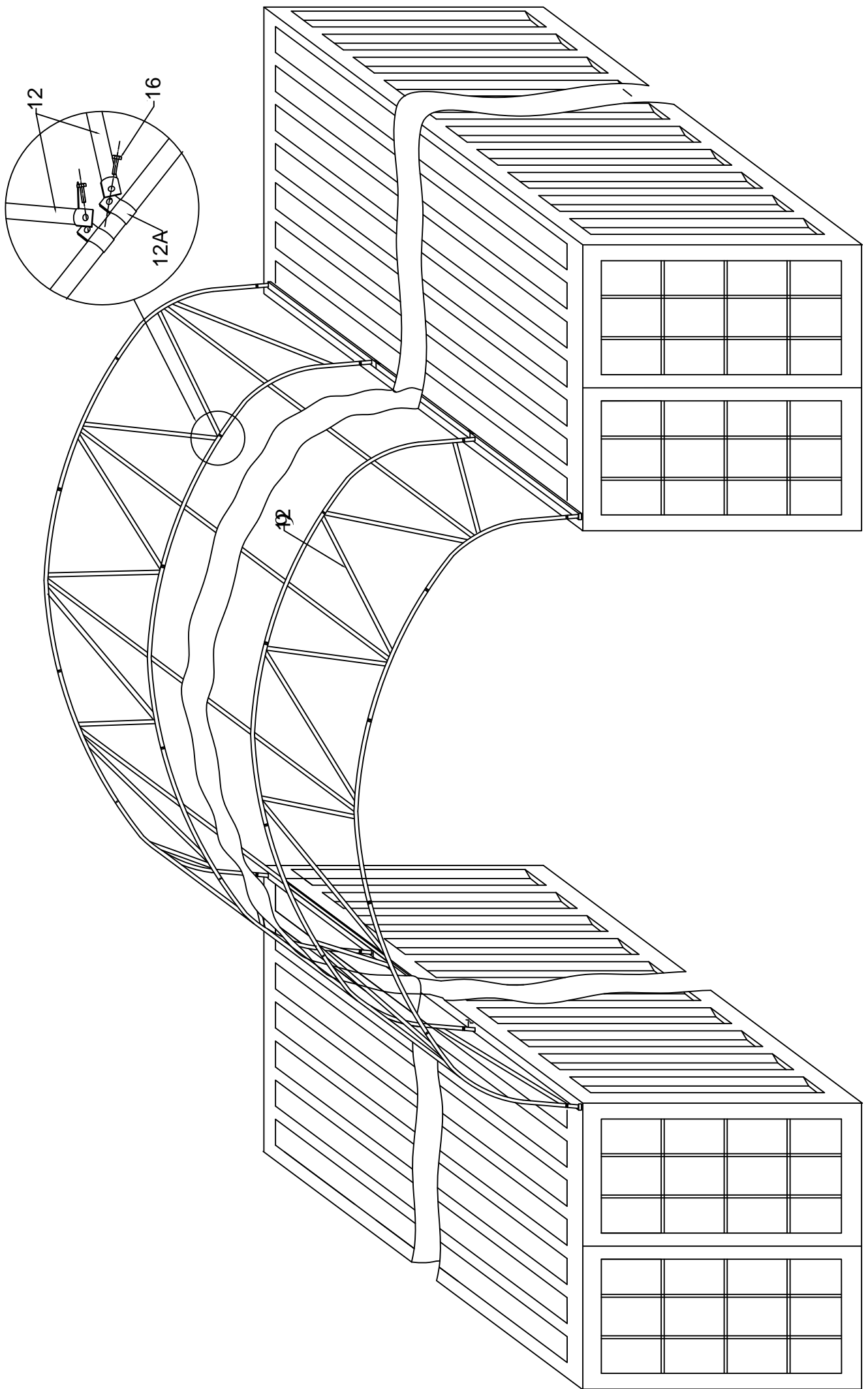
Secure the arch into base rail using bolts (part #14). Connect the arches by purlins(part #4) and bolts (part #15).



**NOTE:** Do not attempt to assemble the entire frame including the horizontal connections on the ground and lift into place.

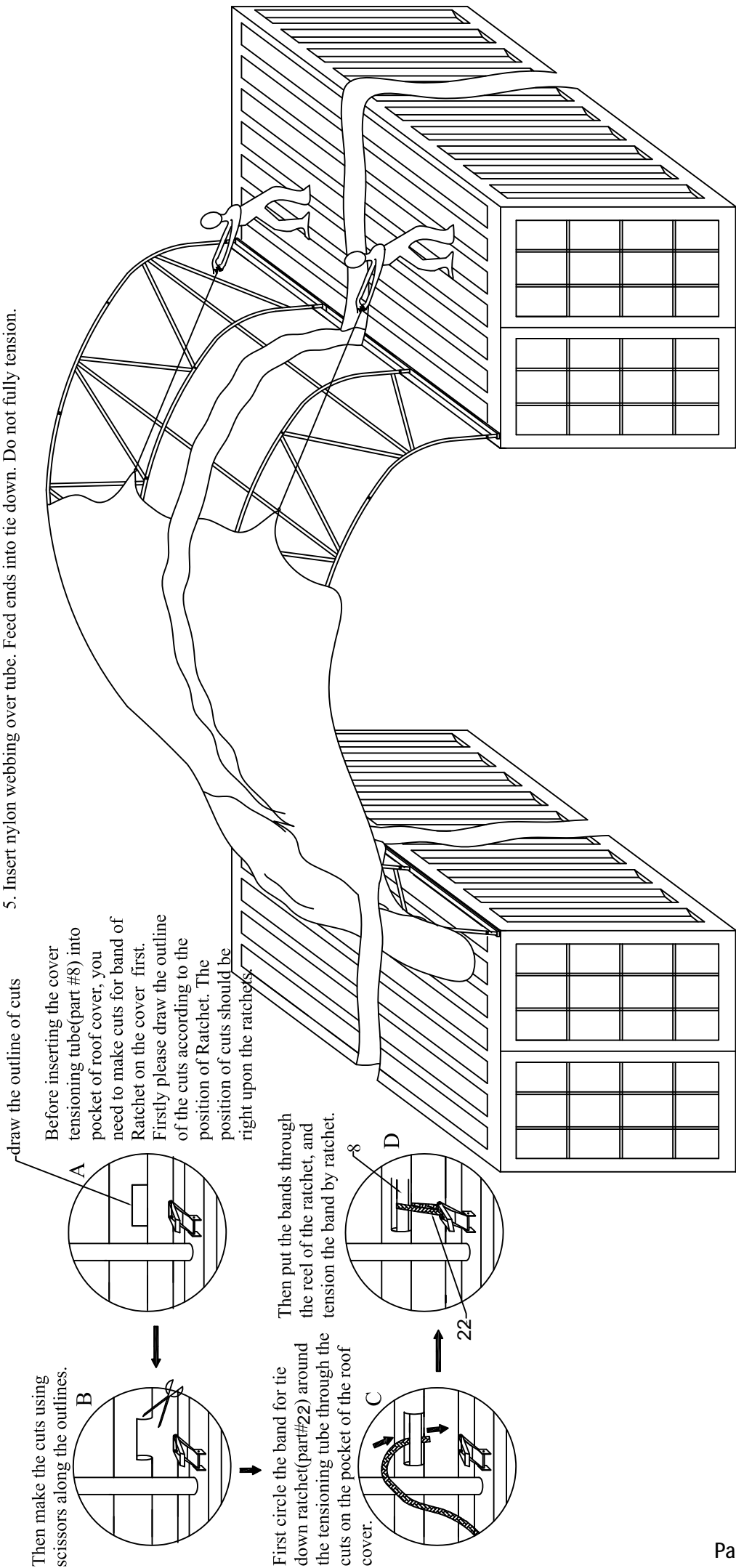
**STEP 5 - FRAME ASSEMBLY Continued**

Install the wind brace tube (part #12) in two end spaces using tube clip (part #12A) and bolt (part #16).



### STEP 6 - COVER INSTALLATION

1. Slide the cover over the frame from one side to the other, not end to end.
2. Tension the ends **FIRST** by pulling and tensioning the ends of the cover using the nylon webbing already threaded through the cover. Tension evenly at both ends and tie off securely.
3. Insert lower tensioning tube part #8 into the sleeves of the cover.
4. Push tube to very end of sleeve. Feed tube back into sleeve end (centre the tube in sleeve).
5. Insert nylon webbing over tube. Feed ends into tie down.



NOTE: Ensure the cover is the right way around and have an even amount of cover overhanging at both ends of the frame. Sleeves are on the underside and are on the sides of the cover only.

**STEP 7 - COVER INSTALLATION Continued**

1. Lace cover to end arches through eyelets then fully tension.
2. Fully tension tie down evenly on each side.
3. Tension the corners of roof cover by the ratchets at 4 corners(part #23).
4. Double check all knots are secure and cover is well tensioned and stretched onto frame.

**NOTE:** The cover shall always be well tensioned! If there is any damage to the straps and ropes, they should be repaired/replaced ASAP, to prevent any further damage to cover

