



MODEL:204006C

W6xL12xH2M

INSTALLATION INSTRUCTIONS





Installation Instructions

Congratulations on your purchase of our instant shelter. This unit is a combination of excellent manufacturing and design. It is comprised of a rigid frame and a durable cover. For easy assembly, we have marked all the parts with codes, with proper installation, use and maintenance, your unit will provide many years of good and suitable service.

Tools Required

The following hand tool will be needed for proper installation of your new building:

- 12mm, 14mm, and 17mm open end wrenches
- 12mm, 14mm, 17mm sockets or box wrenches
- Large flat head screwdriver
- 2lb maul or sledgehammer
- 4ft level
- 14ft step ladder
- Stake and string for aligning base plates and frame

Assembly Procedure

1. Prepare location and place all unit boxes near location sight. Perform an inventory check before beginning, to be certain all components are available for installation.
2. Secure base plate flanges to base surface.
3. Assemble every group of the arch.
4. Begin frame assembly with front end arch, first interior arch, purlins, etc.
5. Add to assemble other groups of arches.
6. Install main cover over frame.
7. Install end cover over end panels.

Read all the detailed instructions and notices in the following assembly instructions!

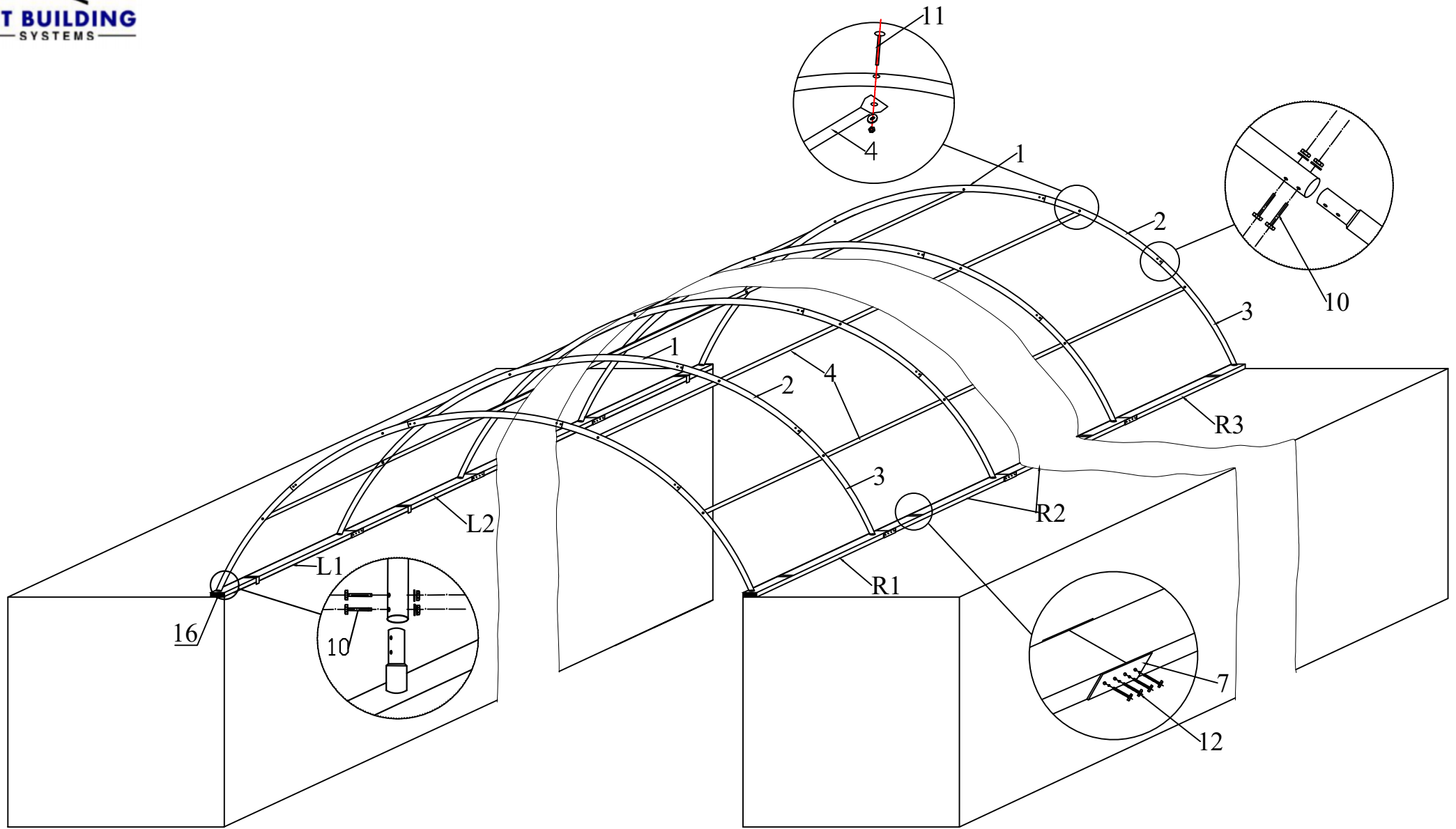


Maintenance and Care

Annually or more often, the unit should be completely inspected internally and externally to make certain the unit remains properly installed and secured. Particular attention should be paid to:

- Hardware - check all carriage bolts and hardware connectors to be certain they are in place and tightened.
- Weather trends - The unit will strain against the base plate flange under windy conditions, pegs hardware, connection to frame members should be maintained tight and depth of pegs should be checked to be certain they remain deeply and firmly set.
- Snow Accumulation - All snow accumulation on the main cover should be removed as soon as possible. Tap the main cover from the inside with a broom or soft brush to clear cover.
- Main Cover Lacing - The poly rope that secures the main cover to the bottom rail of the frame assembly should be checked, and adjusted as needed. The tension on the main cover should be uniform from end and side to side. Rope ends must be tied off onto the frame members at the ends on each side.
- Cleaning - Cover and doors can be cleaned with a mixture of light detergent and water. A soft bristle brush with the mixture can be used to loosen any hard dirt, mould, or build up on the cover. After cleansing, the cover should be rinsed thoroughly to avoid any chemical reaction from residual detergent. Allowing dirt and debris to sit on cover over an extended time will damage cover irreparably.
- Severe Weather - in preparation for inclement weather, completely secure the door of your buildings portable building.

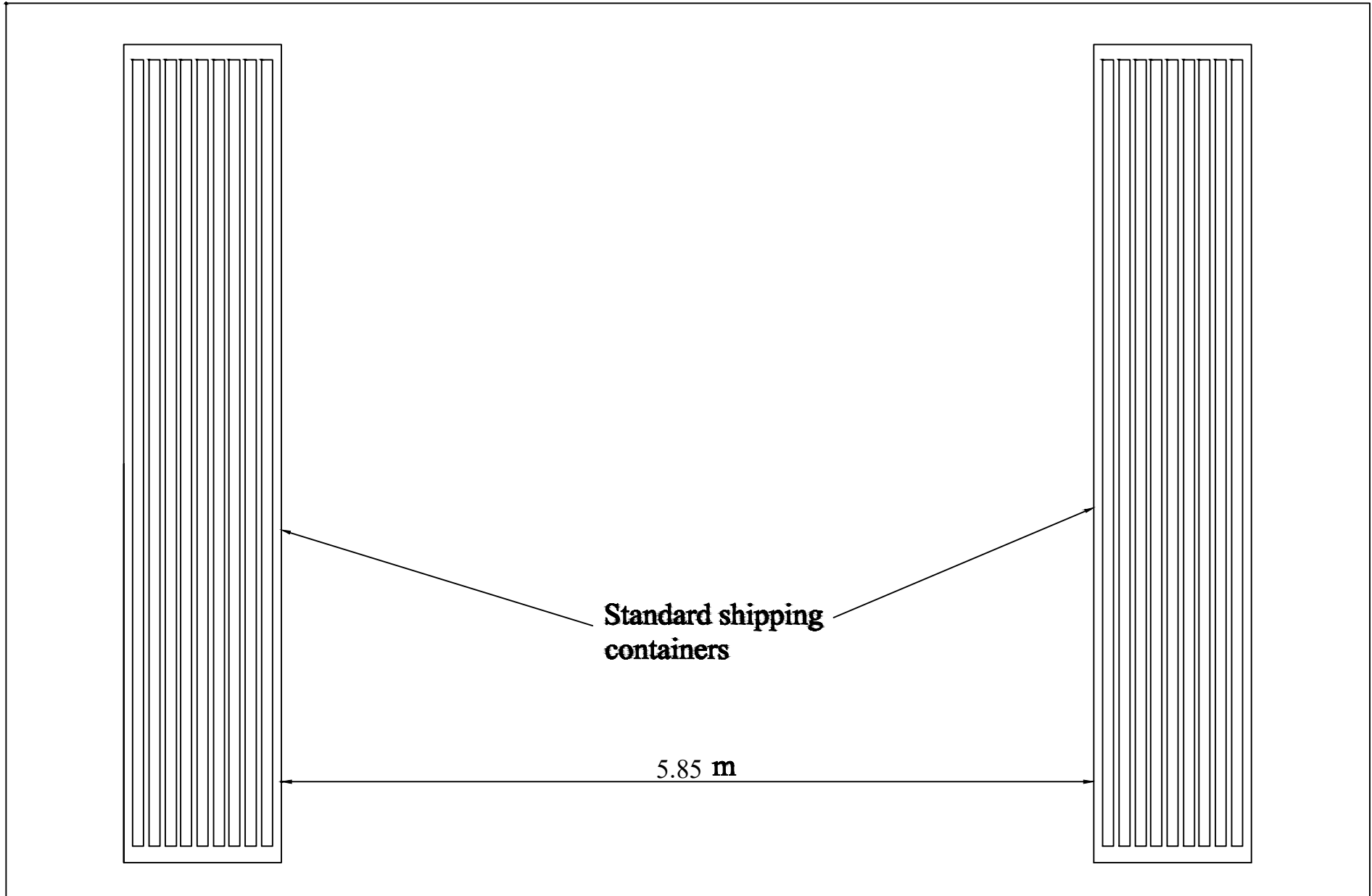
part Code	Descriptin	Quantity
L1	1st base plate for left side	1
L2	2nd base plate for left side	6
L3	3rd base plate for left side	1
R1	1st base plate for right side	1
R2	2nd base plate for right side	6
R3	3rd base plate for right side	1
	Ratchet	18
1	Top roof tube	9
2	Shoulder tube	18
3	Sidewall tube	18
4	Horizontal tube	40
5	L shape metal for corners	4
7	Connectors of base plate	28
8	Tensioning tube for roof cover	12+2
10	Carriage bolt M8*60	112
11	Carriage bolt M8*752	48
12	Hexagon bolt M8*80	56
13	Hexagon bolt M10*30	8
15	Plastic cap	4
16	Plastic cap	4
17	Roof cover	1
18	Rope for cover installation	4
19	Band for ratchet	18
20	U shape bolts	18+36+36
20A	Hexagon bolt M10*70	18
20B	Hexagon bolt M10*30	36
20C	Hexagon bolt M12*50	24
21	Anti-wear sticker	36
22	Connectors of base plate	18+18



Model: WS204006C
Size: L12m x W6m x H2m

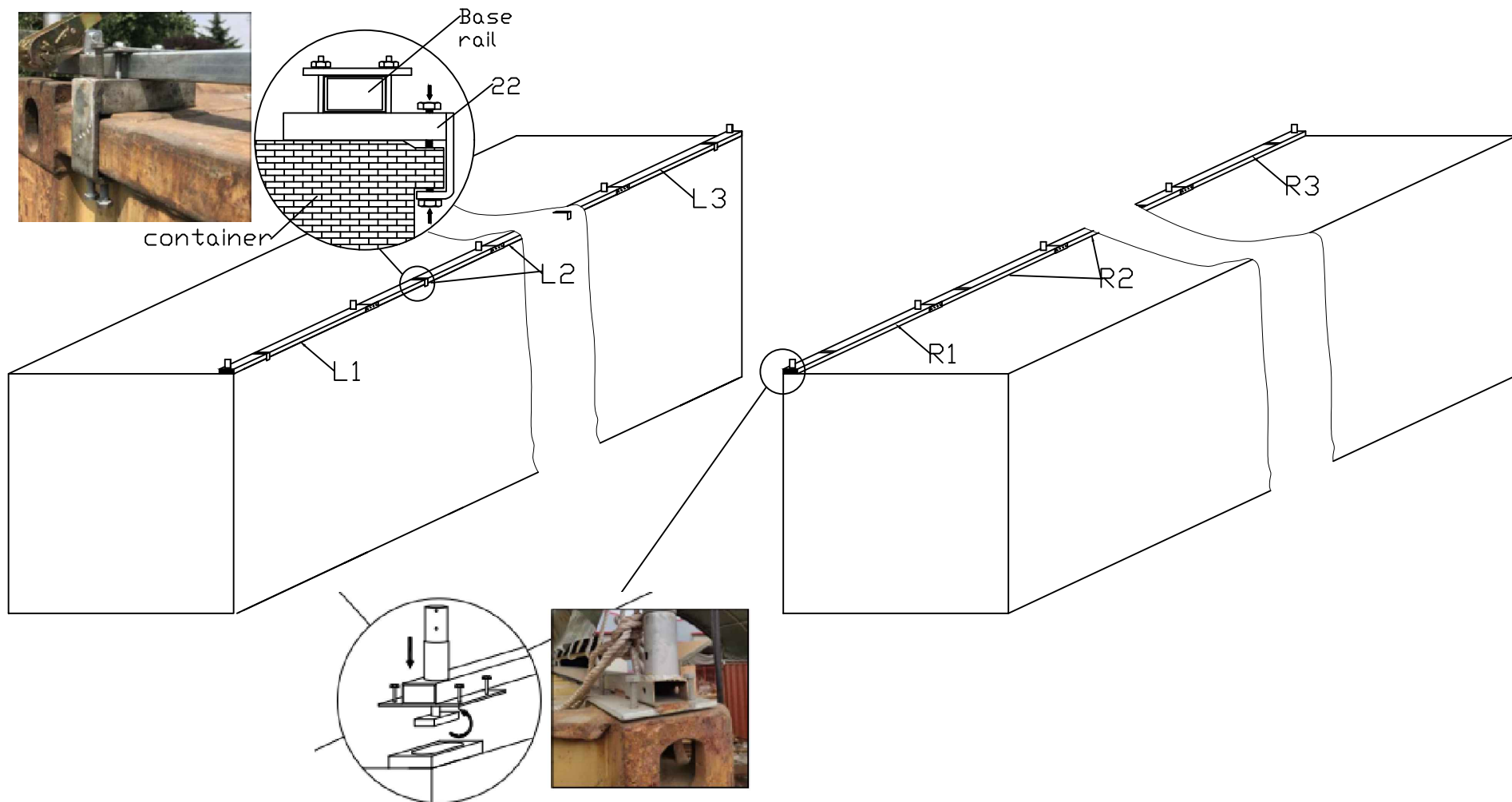
STEP 1 - CONTAINER POSITIONING

1. Ensure the site is level and firm.
2. Place containers 5.85 m meters apart..



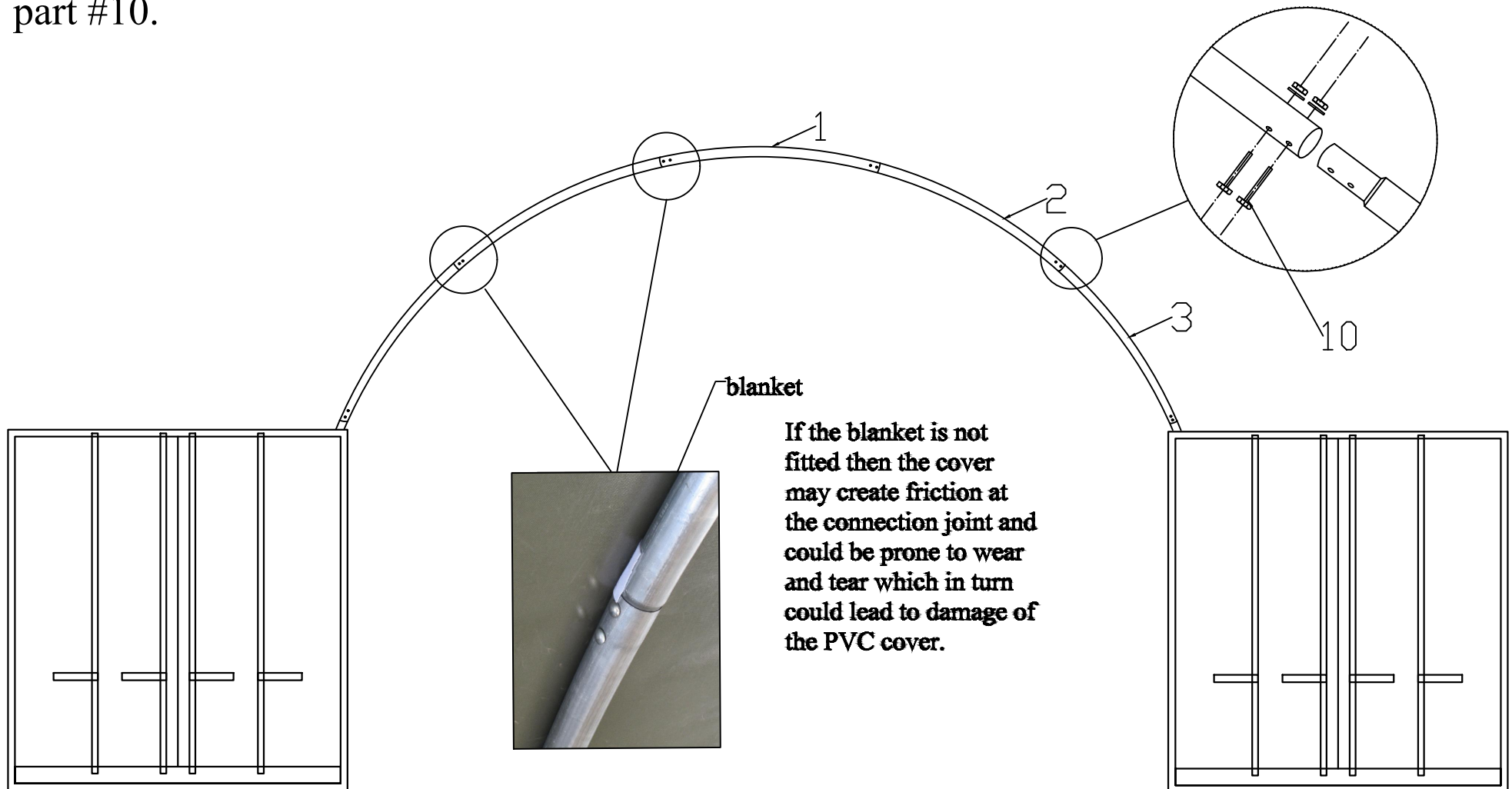
STEP #2 - ASSEMBLE THE BASE RAILS

1. Connect the Base Rail (L1,L2,L3,R1,R2,R3) by Connector(part #7) and Bolts(part #12).
2. Fix the assembled base rail onto the container by Clamp set(part #22) at end of base rail by Bolts(part #20, 20A, 20B)



STEP 3 - FRAME ASSEMBLY

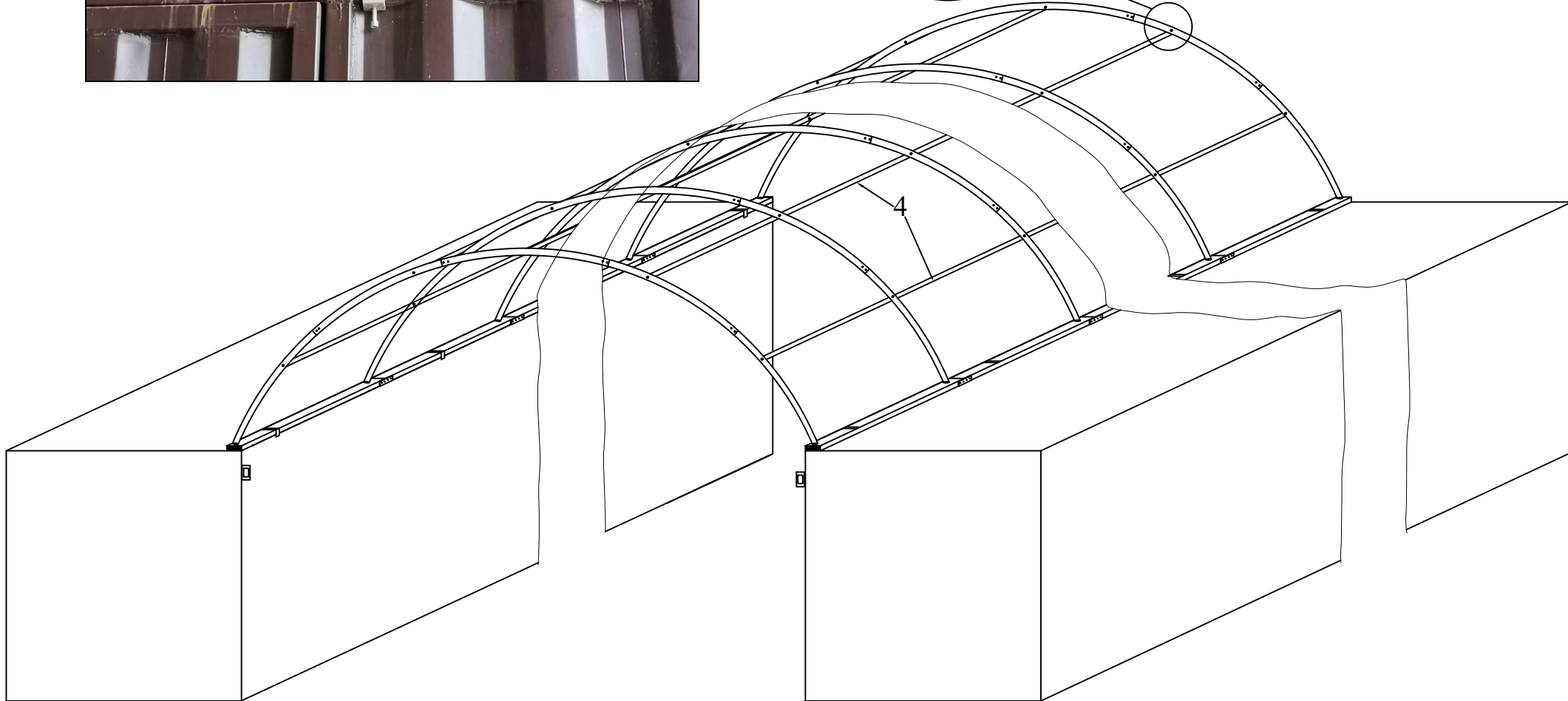
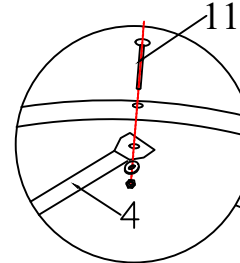
1. Assemble ALL arches on the ground first.
2. Assemble parts #1, #2, #3 and bolt them together using bolt part #10.



If the blanket is not fitted then the cover may create friction at the connection joint and could be prone to wear and tear which in turn could lead to damage of the PVC cover.

STEP 4 - FRAME ASSEMBLY

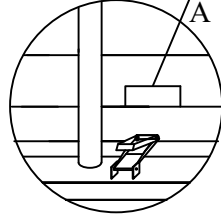
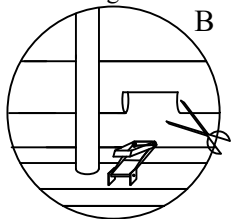
1. Secure the assembled arch onto the Base rails by Bolts (#10)
2. Connect all the arches with each other by Purlins part #4 and bolts part #11



STEP 5 - COVER INSTALLATION

1. Slide the cover over the frame from one side to the other, not end to end.
2. Tension the ends **FIRST** by pulling and tensioning the ends of the cover using the nylon webbing already threaded through the cover. Tension evenly at both ends and tie off securely.
3. Insert lower tensioning tube part #8 into the sleeves of the cover.
4. Push tube to very end of sleeve. Feed tube back into sleeve end (centre the tube in sleeve).
5. Insert nylon webbing over tube. Feed ends into tie down. Do not fully tension.
6. Put the Plastic cap (#15) into the two ends of cover tensioning tube.

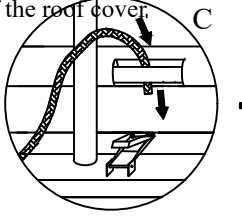
Then make the cuts using scissors along the outlines.



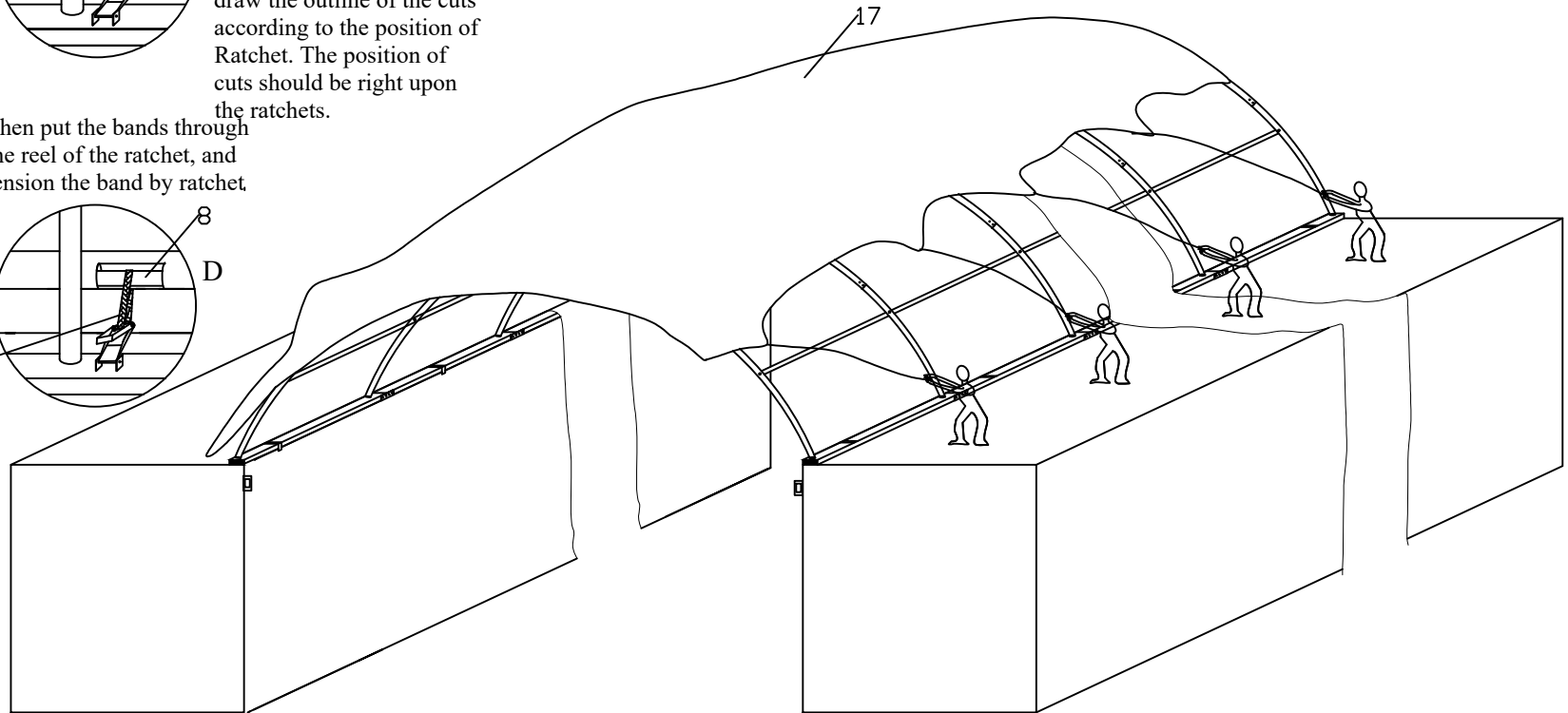
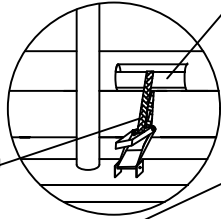
draw the outline of cuts

Before inserting the cover tensioning tube (part #8) into pocket of roof cover, you need to make cuts for band of Ratchet on the cover first. Firstly please draw the outline of the cuts according to the position of Ratchet. The position of cuts should be right upon the ratchets.

First circle the band for tie down ratchet (part #19) around the tensioning tube through the cuts on the pocket of the roof cover.



Then put the bands through the reel of the ratchet, and tension the band by ratchet.



NOTE: Ensure the cover is the right way around and have an even amount of cover overhanging at both ends of the frame. Sleeves are on the underside and are on the sides of the cover only.

STEP 6 - COVER INSTALLATION Continued

1. Lace cover to end portals through eyelets then fully tension.
2. Fully tension tie down evenly on each side.
3. Tension the nylon rope again and tie them off to the 4 small flanges(part #5).
4. Double check all knots are secure and cover is well tensioned and stretched onto frame.

NOTE: The cover shall always been well tensioned! If there is any damage to the straps and ropes, they should be repaired/replaced ASAP, to prevent any further damage to cover

